



#3 20133 102nd Ave.
Langley, BC VM 4B4
Phone: (604) 513-0416
Fax: (604) 513-0428

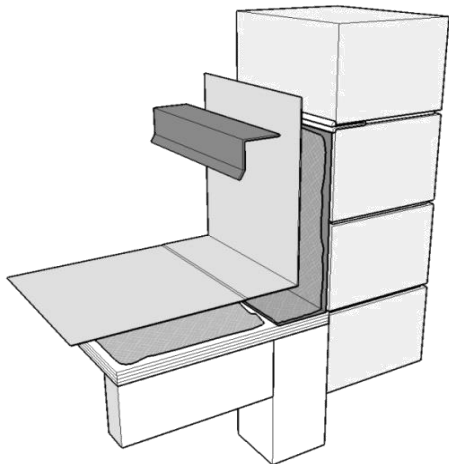
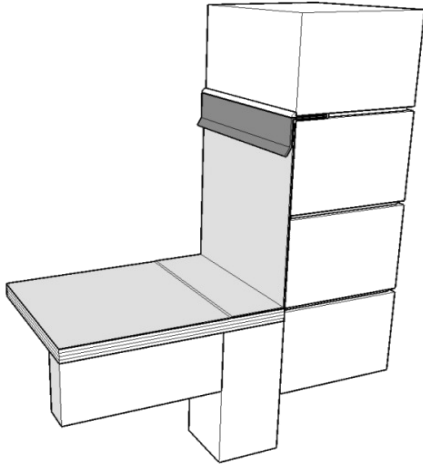
Drawing Title:

Masonry Wall Detail

Updated: January 1, 2020

System: DeckRite

Detail Number: DCS-109



Flashing set into approved polyurethane sealant, also apply sealant to top of membrane

Min 2" overlap over membrane

Masonry wall by others

DeckRite membrane adhered to upstand

(Optional) 90° inside wall flashing over rough surface

min 2% Slope

