



#3 20133 102nd Ave.
Langley, BC V1M 4B4
Phone: (604) 513-0416
Fax: (604) 513-0428

Drawing Title:

PVC Coated Drain Insert

Date: January 1, 2020

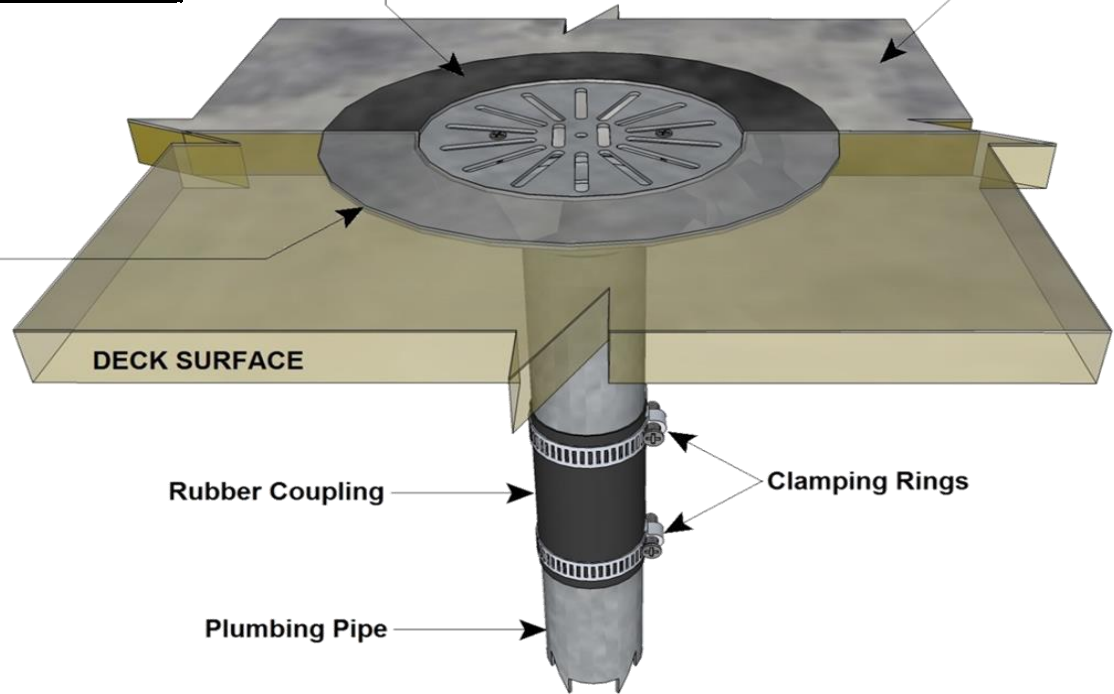
System: Fully Adhered

Detail Number: DCS-108

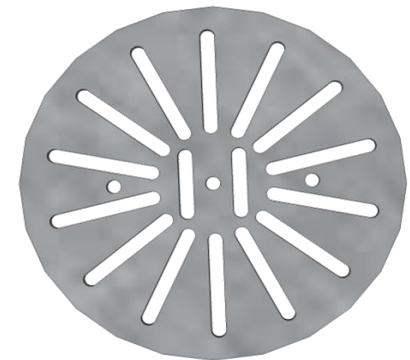
Hot-air weld membrane to drain.

Fully adhered deck membrane

Taper the deck surface so that the rim of the drain insert is flush with it.



PVC Coated Aluminum Drain Insert



Gravel Guard